



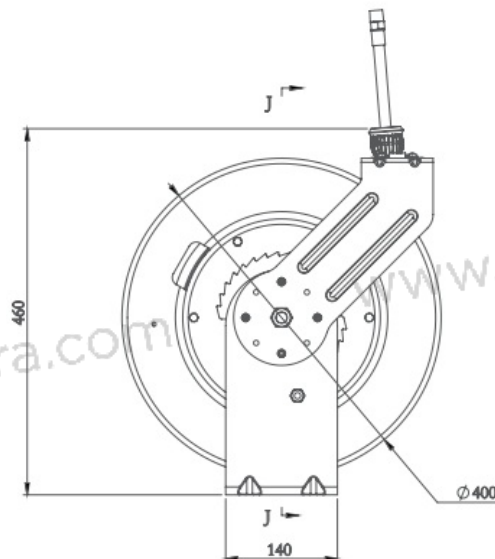
AIR HOSE REEL AHRS0101

Applications

Air Hose Reel steel auto-retractable air hose reel made from strong powder coated steel, used for the delivery of air for automotive, industrial and in-plant applications, much easier handling and less effort while operating.

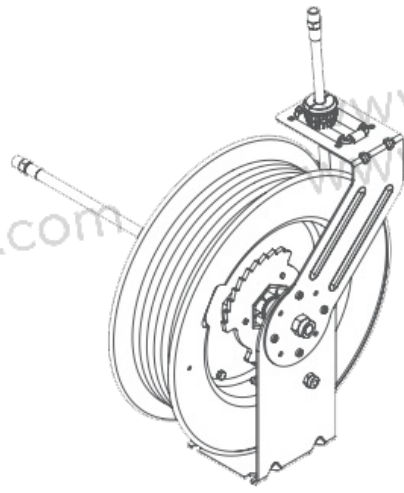
Construction

Made from strong powder coated Steel Hybrid, PU and rubber air hose available for hose reel.



Features

- Steel Construction - Heavy duty supporting arm construction with corrosion resistant powder coating, 48 hours salt and fog tested
- Guide Arm - Multiple guide arm positions provide versatile uses and easier field adjustment
- Non-Snag Roller - Four direction rollers reduce hose wear abrasión
- Spring guard - Protects hose from wearing, assures long hose life
- Self-Laying System - Spring powered auto rewind with 8,000 full retraction cycles twice of regular spring
- Easy Mounting - Base can be mounted on wall, ceiling or floor reachable
- Adjustable Hose Stopper - Ensures the outlet hose reachable or floor reachable



CHYJ CODE	HOSE I.D.	HOSE TYPE	LENGTH	W.P
AHRS0101-LI3815	3/8	RUBBER AIR HOSE	15 M	300 PSI
AHRS0101-YA1215	1/2	RUBBER AIR HOSE	15 M	300 PSI