



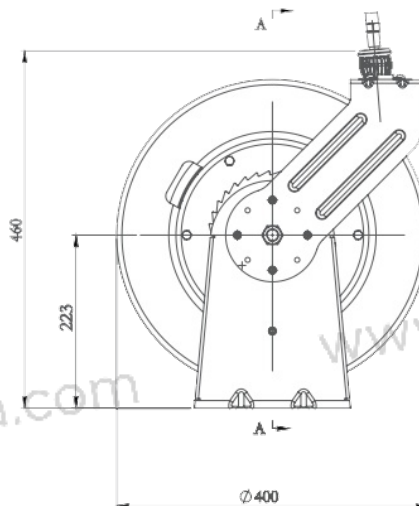
HEAVY DUTY OIL HOSE REEL OHRI01

Applications

Spring-driven retraction hose reel, suitable for use in expandable metal cabinets and multiple reel bank systems for Grease and hydraulic oil applications. Maximum hose pressure rating of 5,000psi.

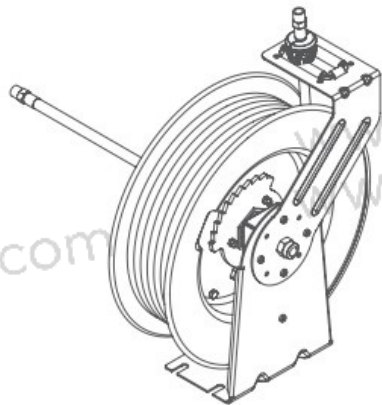
Construction

Steel construction for strength and durability solid Steel axle and lubricated, adjustable arm guide.



Features

- Steel Construction - Heavy duty arm construction with corrosion resistant powder coating, 48 hours salt and fog tested.
- Guide Arm - Multiple guide arm positions provide versatile uses and easier field adjustment.
- Non-Snag Roller - Four direction rollers reduce hose wear abrasión
- Spring guard - Protects hose from wearing, assures long hose life
- Self-Laying System - Spring powered auto rewind with 8,000 full retraction cycles twice of regular spring.
- Easy Mounting - Base can be mounted on wall, ceiling or floor.
- Adjustable Hose Stopper - Ensures the outlet hose reachable.



CHYJ CODE	HOSE I.D.	HOSE TYPE	LENGTH	W.P.
OHR101-LH1415	1/4"	HYDRAULIC HOSE	15 M	5000 PSI
OHR101-LH3815	3/8"	HYDRAULIC HOSE	15 M	5000 PSI